

EZ Meter CT's can be installed on any phase, but to assist the technician we can provide color coded X2 leads in accordance with NEC color codes guidelines at no extra cost. default color is black.

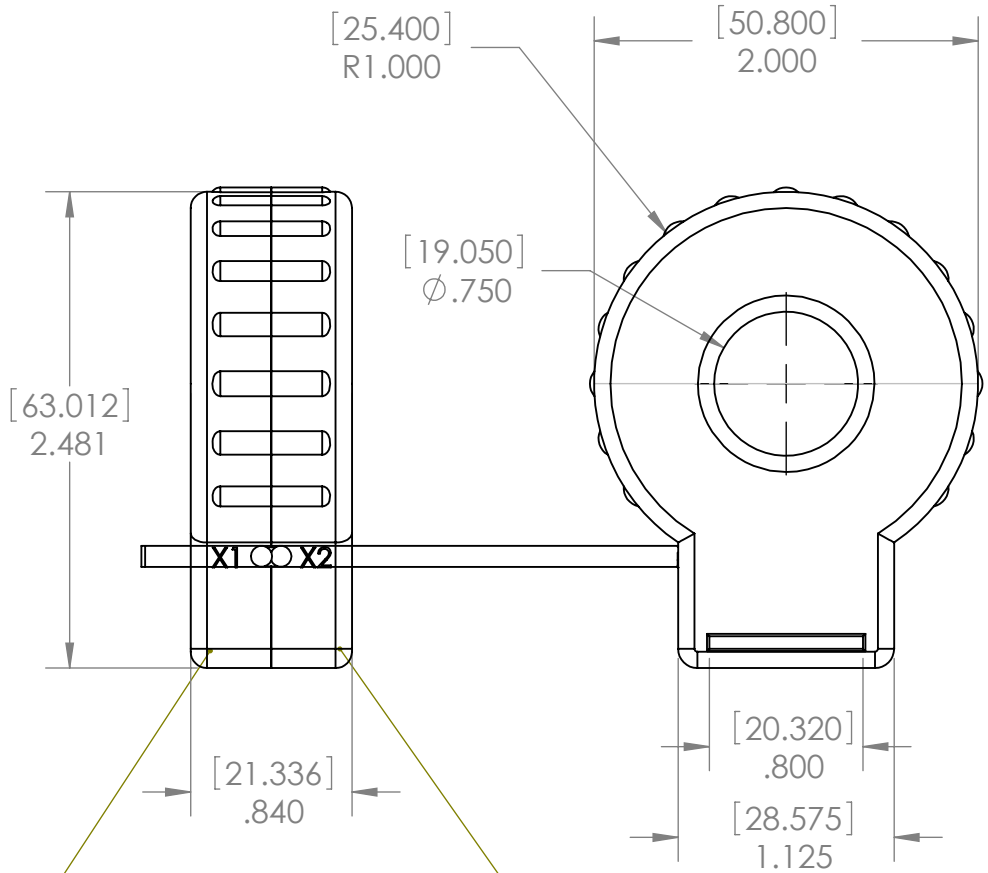
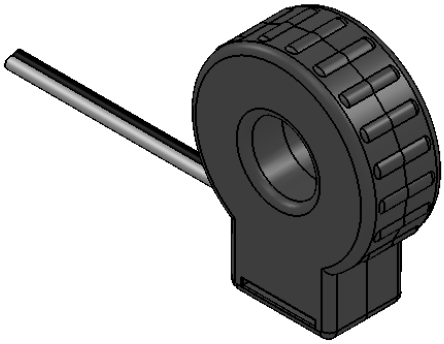
120/240/280V
 LN#1 - Black
 LN#2 - Red
 LN#3 - Blue
 Neutral - White

277/480V
 LN#1 - Brown
 LN#2 Orange
 LN#3 - Yellow
 Neutral - Grey

All wire is 22 awg, 600V, 90 degree C, and UL/CSA1015 certified.

Standard length is 27in, Custom length available at an additional cost.

CT's are all certified to: UL 2808 & IEEE/ANSI C57.13



NEC WIRE WHITE OR GREY AS RQ

NEC WIRE COLOR AS RQ



11030 Cochiti Rd SE Albuquerque, N.M. 87123
 P 805.688.9696 www.ezmeter.com

PROPRIETARY AND CONFIDENTIAL THE INFORMATION CONTAINED IN THIS DRAWING IS THE SOLE PROPERTY OF EZ METER. ANY REPRODUCTION IN PART OR AS A WHOLE WITHOUT THE WRITTEN PERMISSION OF EZ METER IS PROHIBITED.	DIMENSIONS ARE IN INCHES TOLERANCES: FRACTIONAL ± .005 ANGULAR: MACH ± .02 BEND ± TWO PLACE DECIMAL ± .01 THREE PLACE DECIMAL ± .005 DO NOT SCALE DRAWING	TESTED: 200A CAPABLE	DRAWN	DB	DWG. NO. 100320	TITLE:		WCS075 200A	
			SIZE	A		SCALE:	DATE	REV	
					1:1	5/2/23		A	

5 4 3 2 1